

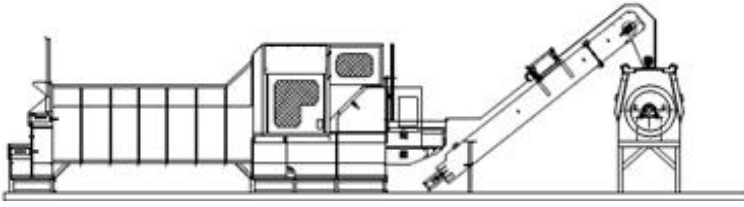


Fine Grinding Systems



Perfect In One Pass™

Two-Stage Grinding Systems Product Specifications



Perfect In One Pass™

RMT Hammermill

Power Supply

- 200 - 500 horsepower electric motor
- Direct drive flex coupler with coupling guard

Feed Opening

- 10" x 12" - 50"
- Externally adjustable flow diverter for bi-rotational operation

Mill

- Dynamically balanced
- 19,782 fpm hammer tip speed
- Tungsten carbide hardfaced hammers
- Replaceable 5/8" steel liners / screen seals
- Fully sealed top mounted sliding access doors
- 2 screens

Discharge

- Gravity or air discharge

Primary grinder Horizontal grinder

Power Supply

- 200 - 500 horsepower electric motor

Options

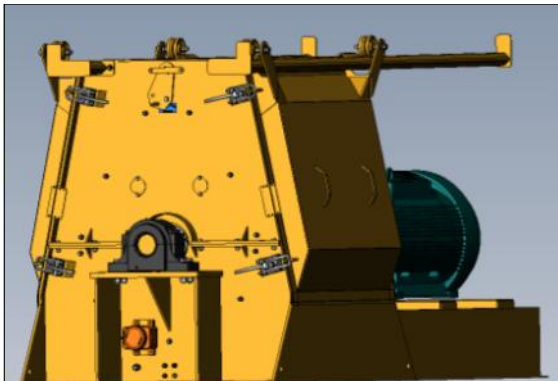
- Bale pre-processing system
- Surge hopper and hammermill feed conveyor
- Cross-belt magnetic conveyor
- Magnetic head pulley
- Dust hood(s)

Complete Fine Grinding Solutions

Rotochopper two-stage grinding systems combine the versatility of our horizontal grinders with the short-fiber grinding efficiency of hammermill technology to provide unbeatable single-pass fine grinding capacity. Featuring a horizontal primary grinder and an in-line hammermill, a Rotochopper two-stage system will efficiently process raw wood fiber or agricultural residue for fuel pellets, animal bedding, and other short-fiber products in one pass.

Our horizontal grinders consistently deliver uniformly ground particles from a wide range of raw materials, from pallets and sorted C & D to corn stover bales. This primary particle size control optimizes hammermill efficiency and allows uninterrupted throughput of highly refined finished products.

Available from 400 to 1,000 combined horsepower, Rotochopper two-stage systems offer unmatched single-pass efficiency for your fine grinding needs.



Practical hammermill features ensure ease of maintenance and consistent throughput of an engineered finished product.



217 West Street
PO Box 295
St. Martin, MN 56376

320-548-3586
info@rotochopper.com www.rotochopper.com